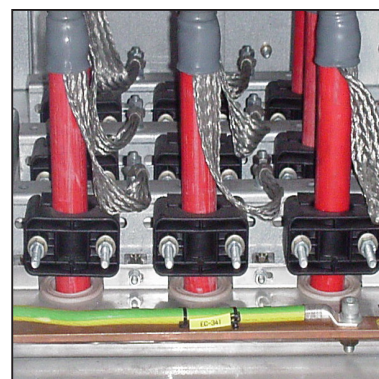


SPECIFICATIONS KOZ CABLE CLAMPS TYPE ST

- Application** : Suitable for fitting single- and multiple-conductor low- medium and high voltage cables.
- Range** : For cables with a nominal outer diameter from 16 up to 130 mm.
- Material** : Black polyamide, fibreglass-reinforced, virgin material. It is halogen-free and resistant to radioactive rays, UV rays, salt water, ozone, oils, fuels and alkalis.
- Flame resistance** : UL94 V-0 and classification following DIN 5510-2:2009 with flammability class S3, smoke SR2 and dripping ST-2.
- Standards** : According to International Standard NEN-EN-IEC 61914:2009, Certificate of Conformity KOZ No 16881C by SGS.
- Flexure strength** : 210 N/mm²
- Tensile strength** : 120 N/mm²
- Thermal expansion** : 0,01% per 10°C temperature increase.
- Temperature limits** : Permanent application from -80°C to +120°C.
Brief heating up to +220°C.

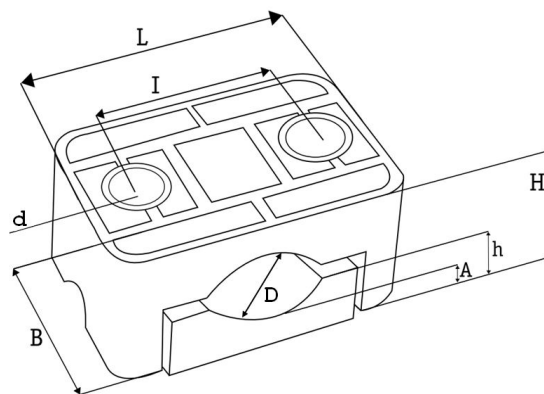


Initial torque for fastening bolts, nuts, screws : 5 - 8 Nm (depends on cable manufacturer's prescription).

All tests have been done by KEMA Netherlands, SGS Belgium, Underwriters Laboratories Inc. and Schneider France.

All products listed in this catalogue are fully compliant manufactured with the EU Directive 2002/95/EG (RoHS) and Annex 2005/618/EG and 2005/717/EG.

Meeting all legal obligations under REACH.



Dimensions in millimeters

Type	DØ	L	B	I	dØ	H	h	A	Strength (N)
KOZ ST 18-26	16-26	77	45	49	10,5	36-44	13,5	6	25.400
KOZ ST 26-38	26-38	92	60	60	12,5	48-60	21	10	34.900
KOZ ST 36-52	36-52	108	60	75	12,5	58-74	27	11	26.100
KOZ ST 50-75	50-75	128	60	95	12,5	76-101	35	14	32.300
KOZ ST 75-100	75-100	169	80	127	14,5	110-135	51	19	84.600
KOZ ST 100-130	100-130	200	80	158	14,5	141-170	65	20	70.000