

# Data Sheet

## CABUS Cast Aluminium Single Cable Clamps – 58/59 Series

Simple two-bolt fix and locate cable clamp suitable for either channel mount – 58 Series, or surface mount – 59 Series.

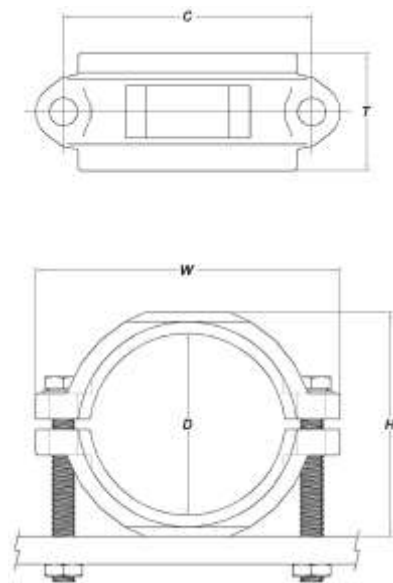
Channel mount interlocks with standard fixing channels.

### Clamp Dimensions

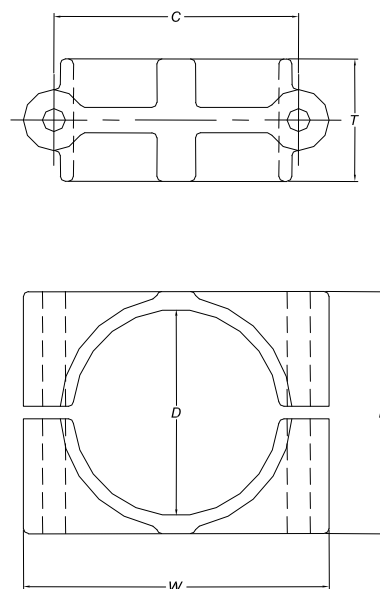
Clamp No.	Cable OD (mm)	C (mm)	W (mm)	T (mm)	H (mm)	Fixing Bolt Length (mm)	Fixing Bolt Hole dia (mm)
5857	50-57	77	99	45	69	60*	3/8" or M10
5864	56-64	84	106	45	76	60*	3/8" or M10
5870	62-70	90	112	45	82	70*	3/8" or M10
5877	68-77	97	119	45	89	75*	3/8" or M10
5884	75-84	105	127	50	96	75*	3/8" or M10
5955	50-55	70	93	45	67	-	10
5960	55-60	73	96	45	72	-	10
5967	61-67	80	105	45	79	-	10
5974	70-74	89	112	50	88	-	10
5978	73-78	92	114	50	94	-	10
5981	76-81	96	121	50	95	-	8
5987	82-87	102	126	50	101	-	8
5992	86-92	110	134	59	118	-	12
5998	91-98	114	138	55	125	-	10
59105	101-105	124	154	65	120	-	12
59123	118-123	149	185	52	170	-	12

\*Fixing Bolts not supplied. Recommended Length based on fixing to channel with standard channel nut (3/8" or M10 bolt)

### Channel Mount – 58 Series



### Surface Mount – 59 Series



### Neoprene Inserts (NI)

Neoprene Inserts Available. Add NI to Clamp No. e.g. 5870NI

Standard NI insert is 3mm thick. Other sizes are available upon request.

Cable OD range is reduced by 3mm i.e. 5870 range becomes 59-67mm

Intertech Engineering Pty Ltd

[www.intertech-eng.com.au](http://www.intertech-eng.com.au)

Phone: (03) 8770 5500

Fax: (03) 9773 5666

rev. 3 6/12/13